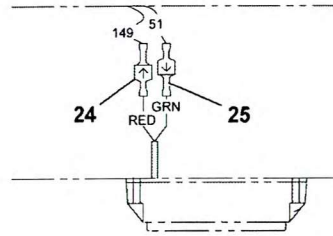
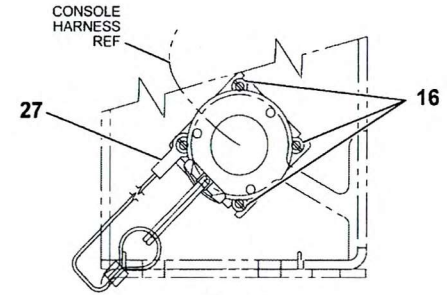


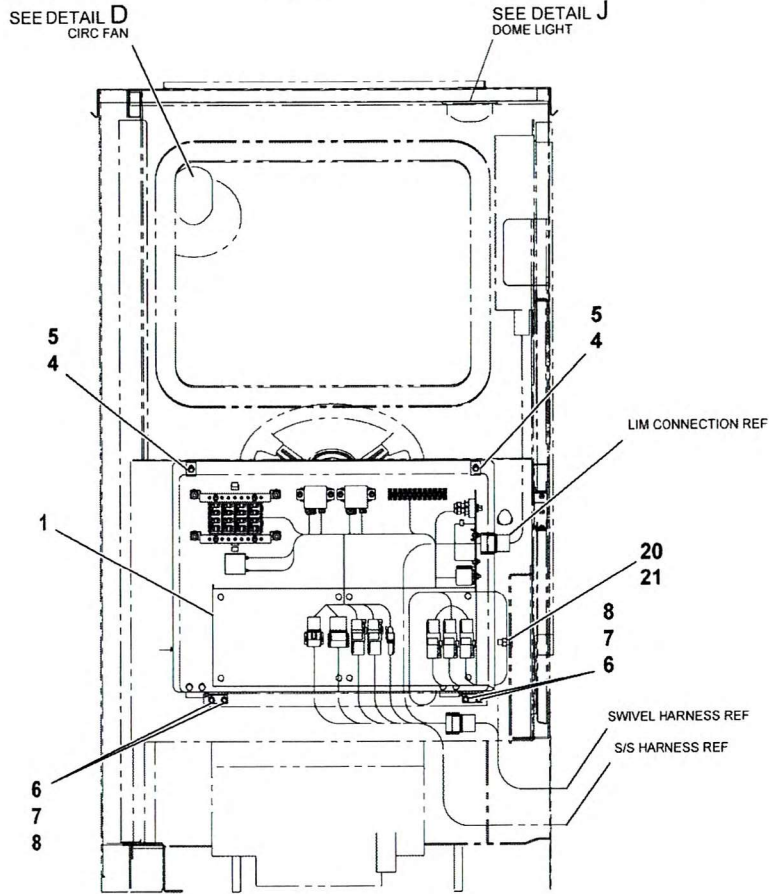
DETAIL-F
WORK LIGHT



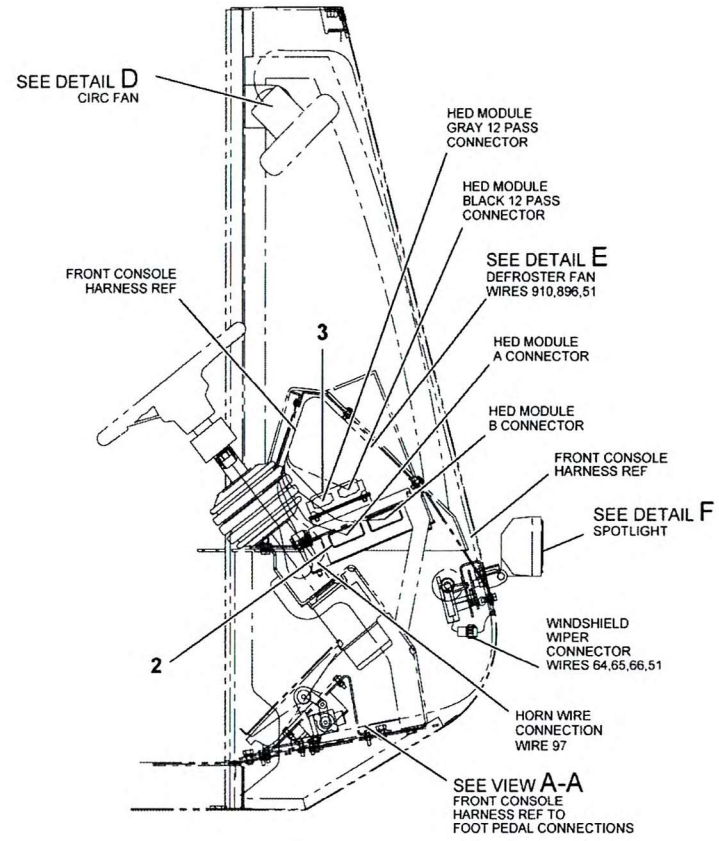
DETAIL-K
LMI WARNING LIGHT (CE)
TAPE & STOW WHEN NOT USED.



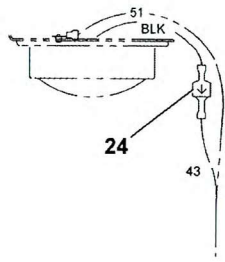
DETAIL-H
DIAGNOSTIC CONNECTOR



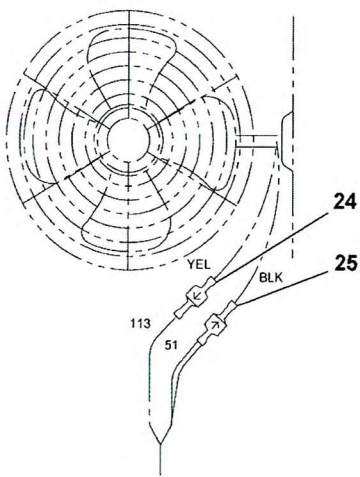
VIEW B-B



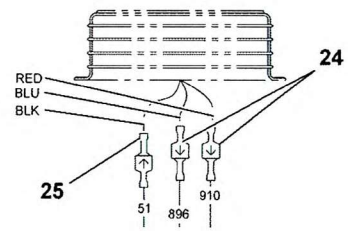
VIEW C-C



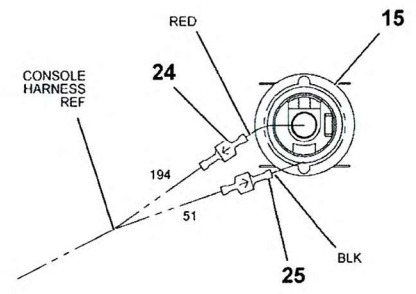
DETAIL-J
DOME LIGHT



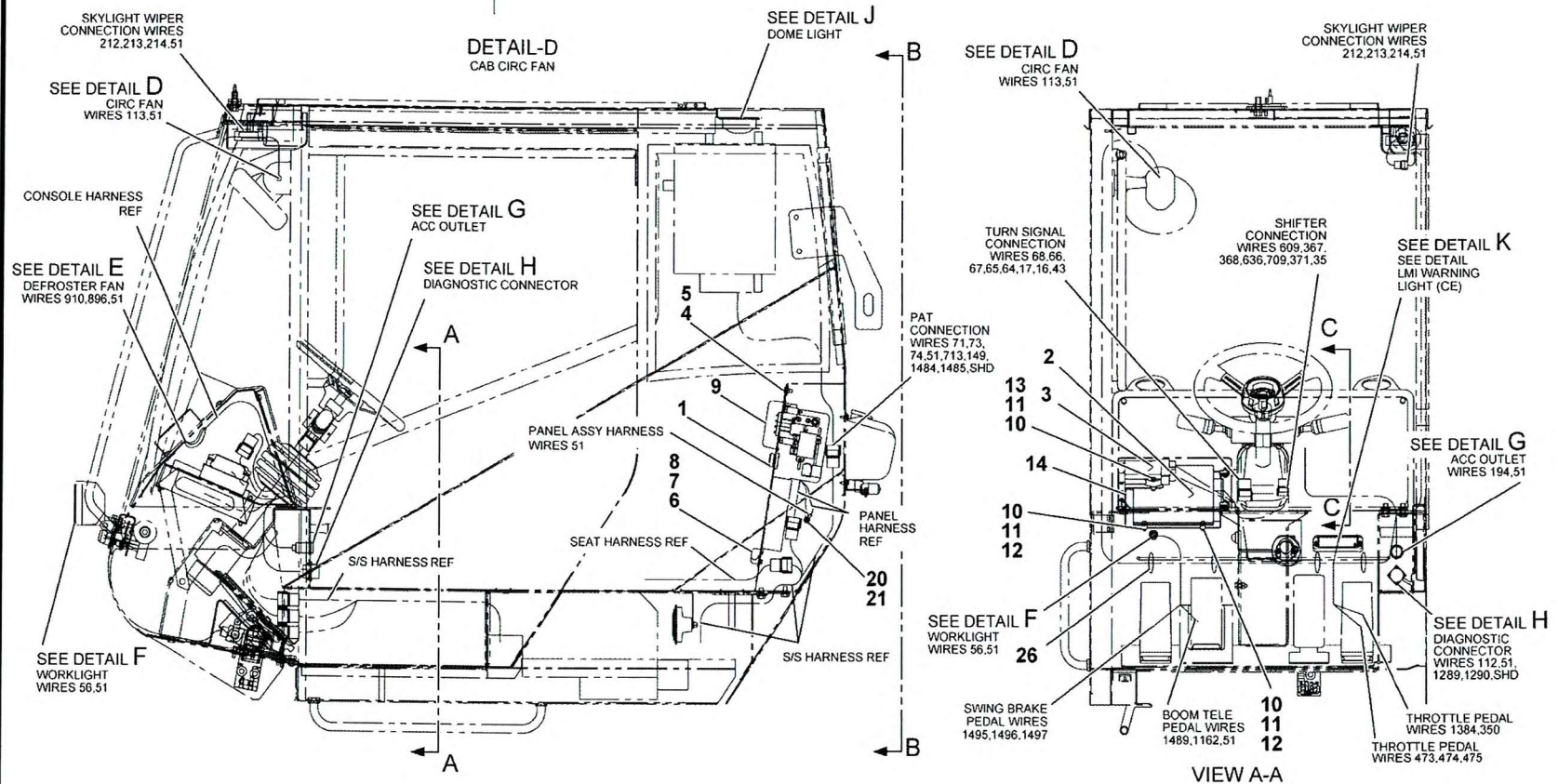
DETAIL-D
CAB CIRC FAN



DETAIL-E
DEFROSTER FAN



DETAIL-G
ACC OUTLET



VIEW A-A